

CAMOX

G275 Tier 5, 6WD



Power and Versatility

Pialleport SA

+33 4 74 20 18 00 - pialleport@camox.fr

www.camox.fr

MACHINE SPECIFICATIONS

Cummins engine

Type: B6.7, 6 cylinders, 5 tiers, 6.7 liter Output:
249 CV at 2,000 RPM
Max. tractive force 1,152 Nm/1,500 RPM

Transmission

Hydrostatic transmission, double hydraulic engine, NAF transfer case with continuous transmission
Tractive force: 210 Kn
Speed: 0 to 25 km/h

Front axle - NAF

Differential multiple-disc lock
Electrohydraulic lock controls
Reducers in the wheels

Rear bogie - NAF

Differential multiple-disc lock
Electrohydraulic lock controls
Reducers in the wheels

Brake

Multiple-disc brakes in the axles

Steering

Articulation with two jacks Electric power steering
With orbitrol steering wheel and joystick

Articulation 45° right and 45° left

Front tires

24.5 L x 32 min. width 2.95 m
30.5 x 32 min. width 2.95 m

Rear tires

700.50 x 26.5 min. width 2.95 m

Tank capacity

Fuel: 231 liters
Hydraulic oil: 240 liters
AdBlue: 33 liters

Hydraulic system

Variable speed system, 320 l/min
Regulation system Workfunction control: electronically controlled speed adapts to the situation

Electronic equipment

24 V, 2 batteries 105 AMP with switch

Controller

Danfoss PLUS1 with screen
For BEST POINT CONTROL hydrostatic transmission including the combustion engine

Panoramic cab

- ROPS/FOPS/OPS compliance
- Seat with pneumatic suspension
- Seat with 360° electric rotation
- Control display on the seat
- All functions on the seat
- Heating/Air-conditioning
- Sun visor (option)
- Automatic fire detection system (option)

LED work lamps

4 front, 2 each side and 4 rear

Winch - CMC

- Single winch: force 16 T, capacity 220 m of cable with 14 mm diameter
- Double winch : force 16 T or 22T, capacity 2 x 220 m of cable with 14 mm diameter

Apron

- Fixed apron
- Hydraulic apron
- Hydraulic apron with mobile attachment
- Lower hydraulic apron

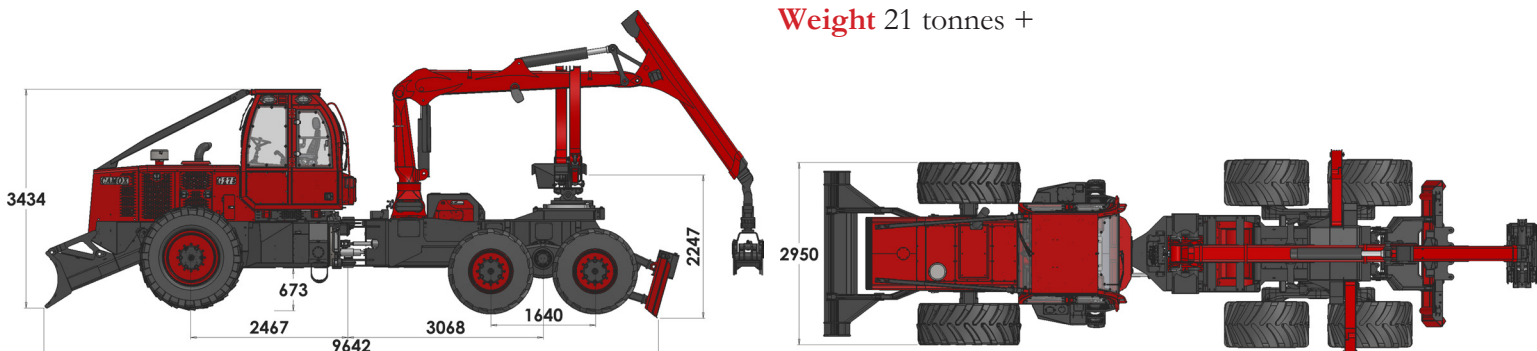
Boom Epsilon X140

Klemmbank pincers 1.6 m², 2 m²

Option

- Rancher basket
- Quick removal: basket and Klemmbank pincer

Weight 21 tonnes +



Tires: 24.5 x 32